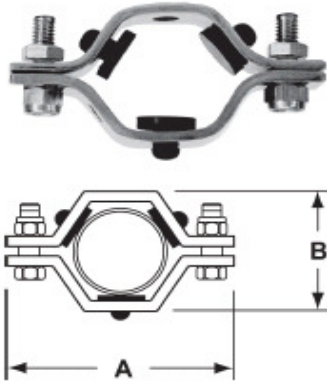
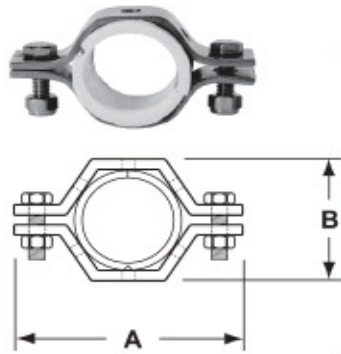


HANGERS - TUBING



SSTHG-- SS Tube Hanger with Grommets			
Tube OD (Size)	A	B	Part Number 304
1/2"	3.625	2.125	STHG-0.50-304
3/4"	3.625	2.125	SSTHG-0.75-304
1"	3.625	2.125	SSTHG-1-304
1.5"	3.625	2.125	SSTHG-1.5-304
2"	4.313	2.625	SSTHG-2-304
2.5"	4.875	3.125	SSTHG2.5-304
3"	5.375	3.625	SSTHG-3-304
4"	6.563	4.750	SSTHG-4-304
6"	9.000	6.625	SSTHG-6-304

Note: 8", 10", 12" Available



SSTHP-- SS Tube Hanger with PolyPropylene Sleeve			
Tube OD (Size)	A	B	Part Number 304
1/2"	2.375	1.167	SSTHP-0.50-304
3/4"	2.625	1.320	SSTHP-0.75-304
1"	2.688	1.563	SSTHP-1-304
1.5"	3.625	2.125	SSTHP-1.5-304
2"	4.320	2.625	SSTHP-2-304
2.5"	4.875	3.125	SSTHP.5-304
3"	5.375	3.625	SSTHP-3-304
4"	6.563	4.625	SSTHP-4-304
6"	9.000	6.813	SSTHP-6-304

Note: 8", 10", 12" Available



POLISHED ID/OD TUBING					
Tube OD (Size)	Length	Quantity	Nominal Wall	Part Number 304	Part Number 316L
1/2"	20'	300'	0.065		PT7-0.50-316
3/4"	20'	300'	0.065		PT7-0.75-316
1"	20'	300'	0.065	PT7-1-304	PT7-1-316
1.5"	20'	300'	0.065	PT7-1.5-304	PT7-1.5-316
2"	20'	300'	0.065	PT7-2-304	PT7-2-316
2.5"	20'	300'	0.065	PT7-2.5-304	PT7-2.5-316
3"	20'	200'	0.065	PT7-3-304	PT7-3-316
4"	20'	100'	0.083	PT7-4-304	PT7-4-316
6"	20'	100'	.083/.109	PT7-6-304	PT7-6-316
8"	10'	10'	.109/.120	PT7-8-304	PT7-8-316
10"	10'	10'	0.120	PT7-10-304	PT7-10-316
12"	10'	10'	0.120	PT7-12-304	PT7-12-316

**We can cut tube to your dimensions!!
Tubing Surcharges change regularly
Call for Full Freight Allowance**